

LT1258 --- Product Brief

12.5Gbps Quad 2:2 Cross-Point Switch with Equalization and De-Emphasis

1. Features

- Support 1Gbps to 12.5Gbps Data Rate
- Input signal detect and output sink detect support
- Up to 4 forward and 4 backward lanes support
- 2x2 analog cross-point switch
- Data lane polarity swappable
- Equalization performance
 - PRBS31 25 dB@12.5Gbps
 - PRBS31 26 dB@11.5Gbps
 - PRBS31 27 dB@10.3125Gbps
- Programmable de-emphasis up to 8 dB
- Up to 1.2V output swing
- Programmable through pin selection, EEPROM or I2C/SMBus interface
- Selectable 2.5-V or 3.3-V supply voltage
- Support up to 400KHz I2C/SMBus slave

2. General Description

The Lontium LT1258 is a quad 2:2 cross-point switch or splitter with signal conditioning suitable for high-speed bus applications with data rates up to 12.5 Gbps. The

continuous time linear equalizer (CTLE) of the receiver provides adjustable boost to compensate up to 25 dB insertion-loss at 6.25 GHz. The transmitter features a programmable amplitude voltage levels to be selectable up to 1200 mVpp and de-emphasis up to 8 dB.

In order to save power consumption, the LT1258 can work well from 1.8V to 2.5V power supply in external LDO mode.

The LT1258 can be configured to support PCIe, CAUI-10, and SAS/SATA, 10G-KR, CPRI or other signaling protocols.

The LT1258 is fabricated in advanced CMOS process and implemented in 10mm x 5.5mm QFN54 package.

3. Applications

- 10G-KR
- CAUI-10
- SAS/SATA
- CPRI
- PCIe
- SGMII

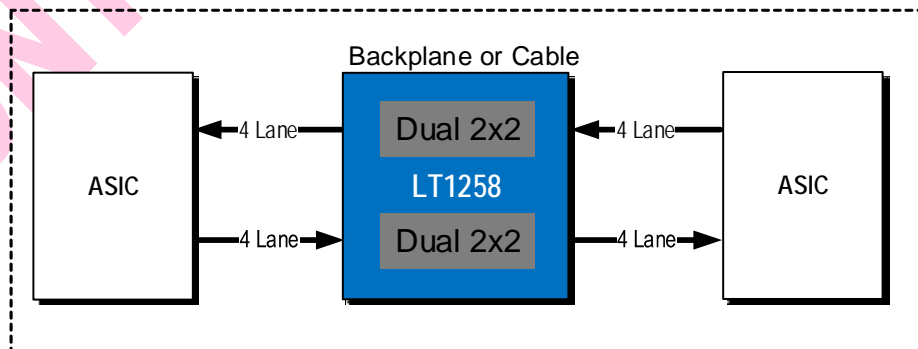


Figure 3.1 LT1258 Typical Application Diagram

4. Ordering Information

Table 4.1 Ordering Information

Part Number	Product Version	Product Status	Operating Temperature Range	Package	Packing Method	MPQ
LT1258_U2	U2	MP	-40°C to +85°C	QFN54 (10*5.5)	Tray	1560pcs

MP: Mass Production.

Copyright © 2020-2024 Lontium Semiconductor Corporation, All rights reserved.

Lontium Semiconductor Proprietary & Confidential

This document and the information it contains belong to Lontium Semiconductor. Any review, use, dissemination, distribution or copying of this document or its information outside the scope of a signed agreement with Lontium is strictly prohibited.

LONTIUM DISCLAIMS ALL WARRANTIES, EXPRESSED OR IMPLIED, INCLUDING THOSE OF NONINFRINGEMENT, MERCHANTABILITY, TITLE AND FITNESS FOR A PARTICULAR PURPOSE. CUSTOMERS EXPRESSLY ASSUME THEIR OWN RISK IN RELYING ON THIS DOCUMENT.

LONTIUM PRODUCTS ARE NOT DESIGNED OR INTENDED FOR USE IN LIFE SUPPORT APPLIANCES, DEVICES OR SYSTEMS WHERE A MALFUNCTION OF A LONTIUM DEVICE COULD RESULT IN A PERSONAL INJURY OR LOSS OF LIFE.

Lontium assumes no responsibility for any errors in this document, and makes no commitment to update the information contained herein. Lontium reserves the right to change or discontinue this document and the products it describes at any time, without notice. Other than as set forth in a separate, signed, written agreement, Lontium grants the user of this document no right, title or interest in the document, the information it contains or the intellectual property in embodies.

Trademarks

Lontium™ 龙迅™ and ClearEdge™ is a registered trademark of Lontium Semiconductor. All other brand names, product names, trademarks, and registered trademarks contained herein are the property of their respective owners.

Visit our corporate web page at: www.lontiumsemi.com

Technical support: support@lontium.com

Sales: sales@lontium.com