

LT8522X --- Product Brief

VGA – HDMI - Converter

Features

- Direct interface to DVI 1.0 and HDMI V1.3 transmitter
- Compliance with DVI and HDMI up to 1.65Gbps
- HDCP encryption
- On-chip VGA HDMI EDID shadows
- Support resolution up to 1920x1200@60Hz(192M pixel clock)
- External IIC slave configuration interface
- Master I2C interface for DDC connection simplifies board layout and lowers cost
- Embedded audio PCM and SPDIF RX.
- Extensive power management for power savings.

Description

The LT8522X is Lontium's VGA to HDMI chip that supports VGA input and digital audio input and HDMI output based on ClearEdge™ technology. The HDMI output interface is compliant with the HDMI 1.3 (High Definition Multimedia Interface) specification. The HDMI output interface also supports HDCP encryption.

Applications

- Matrix Switch Box
- VGA to HDMI converter
- HDMI to VGA converter
- Etc

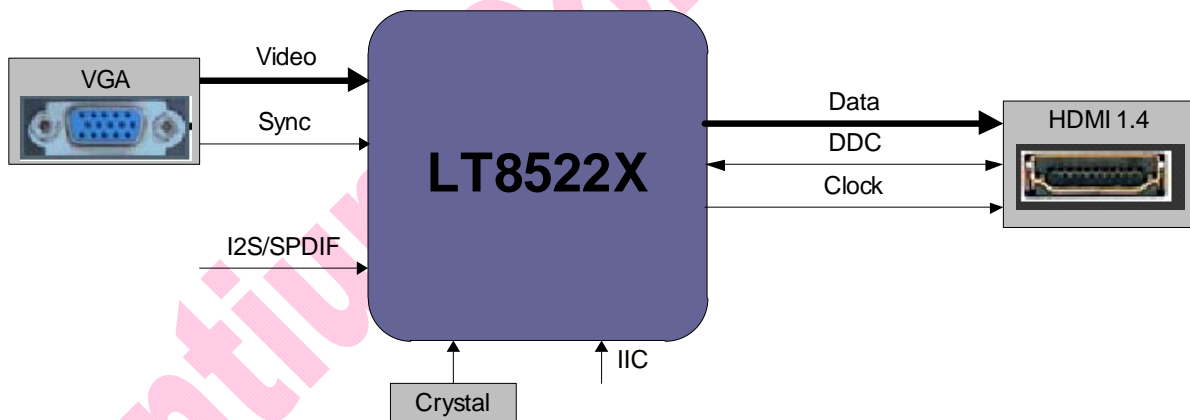


Figure 1. Application Diagram

Ordering Information

Part Number	Operating Temperature Range	Package	Packing Method
LT8522X	-40° C to +85° C	QFN64 (9*9)	Tray

Copyright © 2015、2017 Lontium Semiconductor Corporation, All rights reserved.

Lontium Semiconductor Proprietary & Confidential

This document and the information it contains belong to Lontium Semiconductor. Any review, use, dissemination, distribution or copying of this document or its information outside the scope of a signed agreement with Lontium is strictly prohibited.

LONTIUM DISCLAIMS ALL WARRANTIES, EXPRESSED OR IMPLIED, INCLUDING THOSE OF NONINFRINGEMENT, MERCHANTABILITY, TITLE AND FITNESS FOR A PARTICULAR PURPOSE. CUSTOMERS EXPRESSLY ASSUME THEIR OWN RISK IN RELYING ON THIS DOCUMENT.

LONTIUM PRODUCTS ARE NOT DESIGNED OR INTENDED FOR USE IN LIFE SUPPORT APPLIANCES, DEVICES OR SYSTEMS WHERE A MALFUNCTION OF A LONTIUM DEVICE COULD RESULT IN A PERSONAL INJURY OR LOSS OF LIFE.

Lontium assumes no responsibility for any errors in this document, and makes no commitment to update the information contained herein. Lontium reserves the right to change or discontinue this document and the products it describes at any time, without notice. Other than as set forth in a separate, signed, written agreement, Lontium grants the user of this document no right, title or interest in the document, the information it contains or the intellectual property in embodies.

Trademarks

Lontium™ and ClearEdge™ is a registered trademark of Lontium Semiconductor. All Other brand names, product names, trademarks, and registered trademarks contained herein are the property of their respective owners.

Visit our corporate web page at: www.lontiumsemi.com

Technical support: support@lontium.com

Sales: sales@lontium.com