

# LT89101L --- Product Brief

## MIPI-to-LVDS Level Shifter

### 1. Features

- Support 3-bit maximum 10dB Input Equalization
- Support LVDS Output Signal Re-driving
- 80Mb/s~2.5Gb/s per Data Lane for both Input and Output
- 1.8V Single Supply Power
- Support 100KHz I2C slave
- External 48MHz Crystal Reference Clock
- Temperature Range: -40°C to +85°C
- Packaged in QFN64 7.5mm x 7.5mm

### 2. General Description

The Lontium LT89101L is a high performance MIPI-to-LVDS level shifter for different system application.

The LT89101L is fabricated in advanced CMOS process and implemented in a small outline 7.5mm x 7.5mm QFN64 package. This package is RoHS compliant and specified to operate from -40°C to +85°C.

### 3. Applications

- Mobile systems
- Home security systems
- Digital video cameras
- Digital still cameras
- Tablet PC, Notebook PC
- Car Display and Camera System
- Signal bridge in FPGA verification

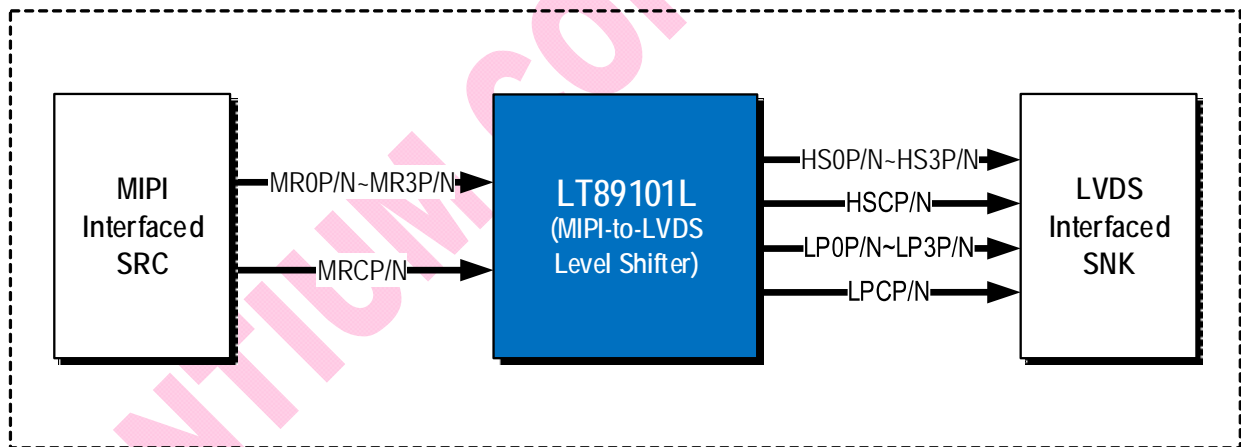


Figure 3.1 Typical Application and System Diagram

### 4. Ordering Information

Table 4.1 Ordering Information

Part Number	Operating Temperature Range	Package	Packing Method	MPQ
LT89101L	-40°C to +85°C	QFN64 (7.5*7.5)	Tray	2600pcs

**Copyright © 2016-2021 Lontium Semiconductor Corporation, All rights reserved.**

### **Lontium Semiconductor Proprietary & Confidential**

This document and the information it contains belong to Lontium Semiconductor. Any review, use, dissemination, distribution or copying of this document or its information outside the scope of a signed agreement with Lontium is strictly prohibited.

LONTIUM DISCLAIMS ALL WARRANTIES, EXPRESSED OR IMPLIED, INCLUDING THOSE OF NONINFRINGEMENT, MERCHANTABILITY, TITLE AND FITNESS FOR A PARTICULAR PURPOSE. CUSTOMERS EXPRESSLY ASSUME THEIR OWN RISK IN RELYING ON THIS DOCUMENT.

LONTIUM PRODUCTS ARE NOT DESIGNED OR INTENDED FOR USE IN LIFE SUPPORT APPLIANCES, DEVICES OR SYSTEMS WHERE A MALFUNCTION OF A LONTIUM DEVICE COULD RESULT IN A PERSONAL INJURY OR LOSS OF LIFE.

Lontium assumes no responsibility for any errors in this document, and makes no commitment to update the information contained herein. Lontium reserves the right to change or discontinue this document and the products it describes at any time, without notice. Other than as set forth in a separate, signed, written agreement, Lontium grants the user of this document no right, title or interest in the document, the information it contains or the intellectual property it embodies.

### **Trademarks**

Lontium™ 龙迅™ and ClearEdge™ is a registered trademark of Lontium Semiconductor. All other brand names, product names, trademarks, and registered trademarks contained herein are the property of their respective owners.

**Visit our corporate web page at: [www.lontiumsemi.com](http://www.lontiumsemi.com)**

**Technical support: [support@lontium.com](mailto:support@lontium.com)**

**Sales: [sales@lontium.com](mailto:sales@lontium.com)**